

Piezo-Lautsprecher RMP-05 Art.-Nr.: 183010

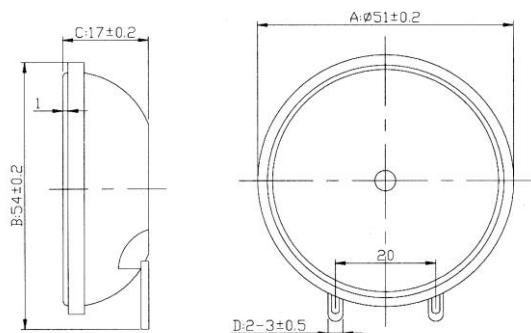
Specification :

TYPE	UNIT	RMP-05
• Min. Sound Pressure Level	dB	95/22kHz;2.83Vp-p;sine wave/50cm
Rated Voltage	Vp-p	2.83
Allowable Input Voltage	Vp-p	30
• Resonant Frequency	kHz	22±1.0
Capacitance at120Hz	nF	110±30%
Operating Temperature	°C	-20~+60
Storage Temperature	°C	-30~+70
Weight	g	9

• Value applying at rated voltage

Dimensions :

(Unit : mm)



Frequency Response :

